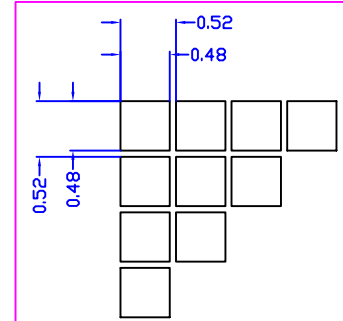
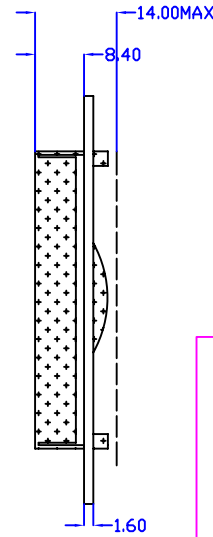
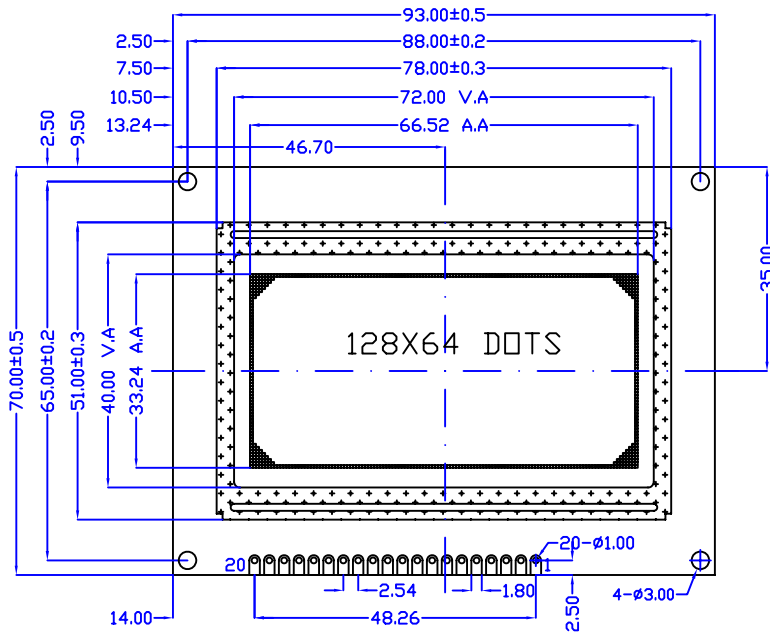
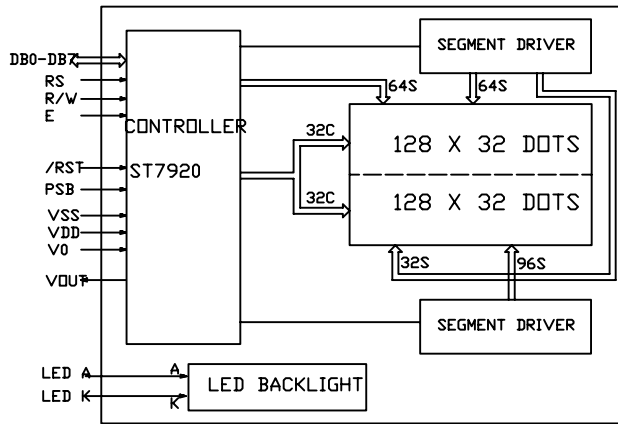


# Outline Dimension

REVISIONS			
NO.	DATE	BY	DESCRIPTION
1	08/05/24	ZOLEN	NEW RELEASE



## Block Diagram



## Feature

1. BUILT IN CONTROLLER: ST7920 OR EQUIVALENT
2. POWER SUPPLY: 5.0V AND 3.0V AVAILABLE
3. LCD TYPE: Y/G STN
4. BACKLIGHT: BOTTOM LED BACKLIGHT
5. COLOUR OF BACKLIGHT: Y/G
6. 1/32 DUTY CYCLE, 1/7 BIAS
7. VIEWING ANGLE: 6 O'CLOCK
8. TEMPERATURE RANGE: EXTENDED (-20--70)
9. LOW CONSUMPTION, LOW VOLTAGE, HIGH CONTRAST

## Mechanical Data

ITEM	SPECIFICATION	UNIT
OVERALL SIZE	93.0W x 70.0H x 14.0T	MM
VIEWING AREA	72.0W x 40.0H	MM
DOT NUMBER	128 x 64	DOTS
DOT SIZE	0.48W x 0.48H	MM
DOT PITCH	0.52W x 0.52H	MM

## Pin Assignment

NO.	SYMBOL	DESCRIPTION
1	VSS	GROUND
2	VDD	POWER SUPPLY FOR LOGIC AND LCD
3	VR	CONTRAST ADJUST
4	RS	DATA/INSTRUCTION SELECT
5	R/W	READ/WRITE SELECT
6	E	ENABLE SELECT
7--14	DB0--DB7	DATA BUS
15	PSB	PARALLEL/SERIAL MODE SELECT
16	NC	NO CONNECTION
17	/RST	RESET SIGNAL (LOW EFFECTIVE)
18	VOUT	VOLTAGE BOOSTER OUTPUT
19	A	LED BACKLIGHT POWER SUPPLY(+)
20	K	LED BACKLIGHT POWER SUPPLY(-)

## Absolute Maximum Rating

ITEM	SYMBOL	MIN	MAX	UNIT
POWER SUPPLY (LOGIC)	VDD-VSS	0	6.5	V
POWER SUPPLY (LCD DRV.)	VDD-V0	0	18.0	V
INPUT VOLTAGE	VI	VI	VDD	V

## Electrical Characteristics

ITEM	SYMBOL	MIN	TYP	MAX	UNIT
VOLTAGE FOR LOGIC	VDD-VSS	4.75	5.0	5.25	V
SUPPLY CURRENT	IDD	-	12.0	-	mA
LCD OPERATING VOLTAGE	0C	-	5.7	-	V
	25C	-	5.5	-	V
	40C	-	5.3	-	V
INPUT VOLTAGE	H	0.7VDD	-	VDD	V
	L	0	-	0.3VDD	V

ALL DIMENSIONS ARE IN MM. TOLERANCE IS +/-0.2 UNLESS OTHERWISE NOTED.



JXD12864F

128 X 64 DOTS GRAPHIC LCM

EXPERT IN LCD