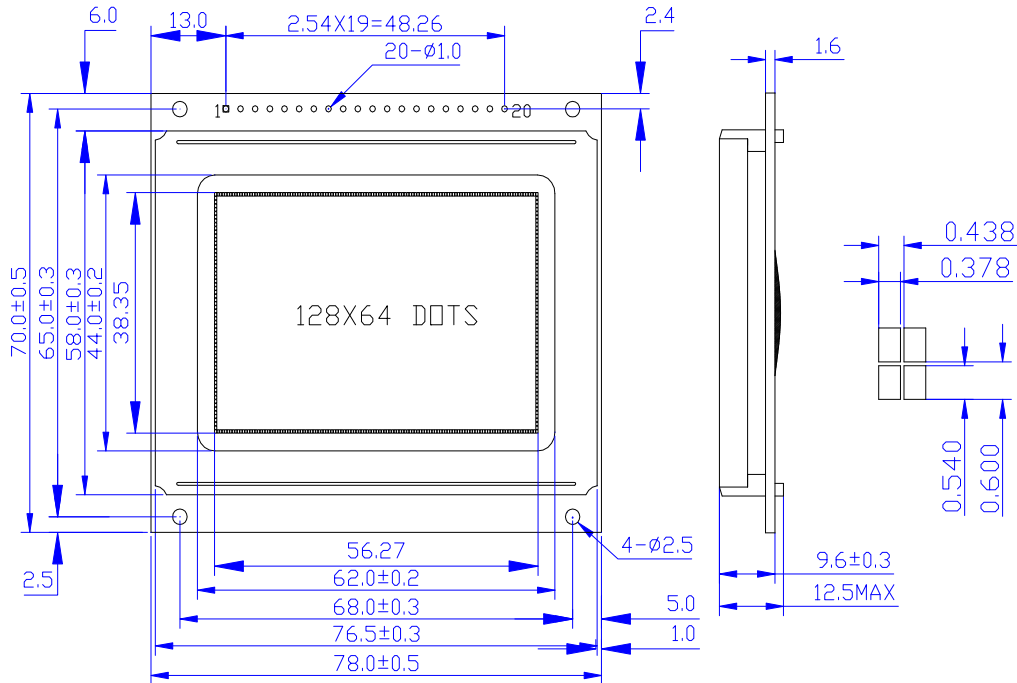


# JXD12864S

## ① PHYSICAL DIMENSION



## ② MECHANICAL SPECIFICATIONS

Item	Nominal Dimensions(mm)
Module Size(W×H×T)	78.0×70.0×12.5
Viewing Area(W×H)	62.0×44.0
Dot Pitch(W×H)	0.438×0.600
Dot Size(W×H)	0.378×0.540

## ④ FEATURE

LCD Type & Colour	STN:Yellow-Green,Blue,FSTN
View Angle	6 O'clock
Display Type	Positive Type,Negative Type
Control IC & Package	ST7920,COB
Operating Temperature	-20℃~70℃
Storage Temperature	-30℃~80℃

## ③ PIN CONNECTIONS

Pin	Symbol	Function
1	VSS	Ground for Logic(GND)
2	VDD	Power supply for Logic(+5V)
3	V0	Power supply for LCD Driver
4	RS(CS)	H: Data; L: Instruction Code/Chip select
5	R/W(SID)	H: Read; L: Write(Parallel)/Data(Serial)
6	E(SCLK)	Enable Signal(Parallel) / Serial Clock(Serial)
7~14	DB0~DB7	Data Bus Line
15	PSB	H:Parallel Mode; L:Serial Mode
16	NC	NO Connect
17	/RST	Reset Signal (Active LOW )
18	Vout	Voltage Doubler Ouput(Active Doubler)
19	LEDA	Backlight Power(+5V)
20	LEDK	Backlight Power(GND)

## ⑤ ELECTRICAL CHARACTERISTICS (Supply current doesn't contain backlight)

Item	Symbol	Test Condition	Typ.	Unit
Operating Voltage	Vdd	Ta=25℃	5.0	V
Supply Current	Idd	Ta=25℃ , Vdd=5.0V	1.7	mA