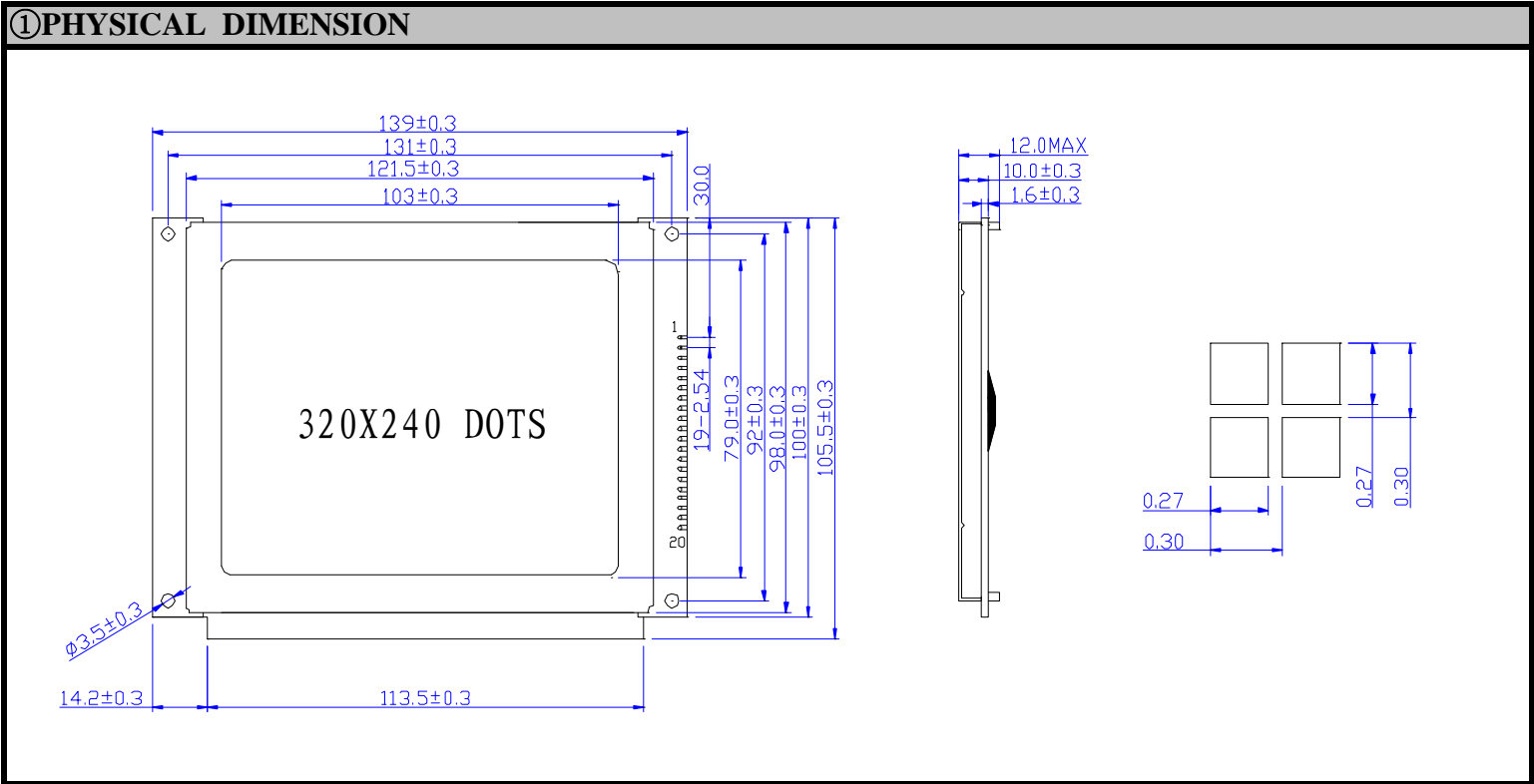


# 深圳市佳显电子技术有限公司

JXD320240B-C

320 x 240 dots



② MECHANICAL SPECIFICATIONS

Item	Nominal Dimensions(mm)
Module Size(W×H×T)	139.0×105.5×12.0
Viewing Area(W×H)	103.0×79.0
Dot Pitch(W×H)	0.30×0.30
Dot Size(W×H)	0.27×0.27

③ PIN CONNECTIONS

Pin	Symbol	Function
1	VSS	Ground for Logic(0V)
2	VDD	Power supply for Logic(+5V)
3	V0	Power supply for LCD Driver
4	/WR	Command and data write signal
5	/RD	Data and status read signal
6	/CS	Chip enable signal1
7	A0	H:Command; L:Data
8	/RST	Reset Signal (Active Low)
9~16	DB0~DB7	Data Bus Line
17	DISPOFF	Display ON/OFF
18	VEE	Negative voltage output
19	LED+	Backlight Power (+5V)
20	LED-	Backlight Power (0V)

④ FEATURE

LCD Type & Colour	STN:Yellow-Green,Blue,FSTN
View Angle	6 O'clock
Display Type	Positive Type,Negative Type
Control IC & Package	Ra8835 or EQV,COB or SMT
Operating Temperature	-20℃ ~ 70℃
Storage Temperature	-30℃ ~ 80℃

⑤ ELECTRICAL CHARACTERISTICS (Supply current doesn't contain backlight)

Item	Symbol	Test Condition	Typ.	Unit
Operating Voltage	Vdd	Ta=25℃	5.0	V
Supply Current	Idd	Ta=25℃ , Vdd=5.0V	15.0	mA