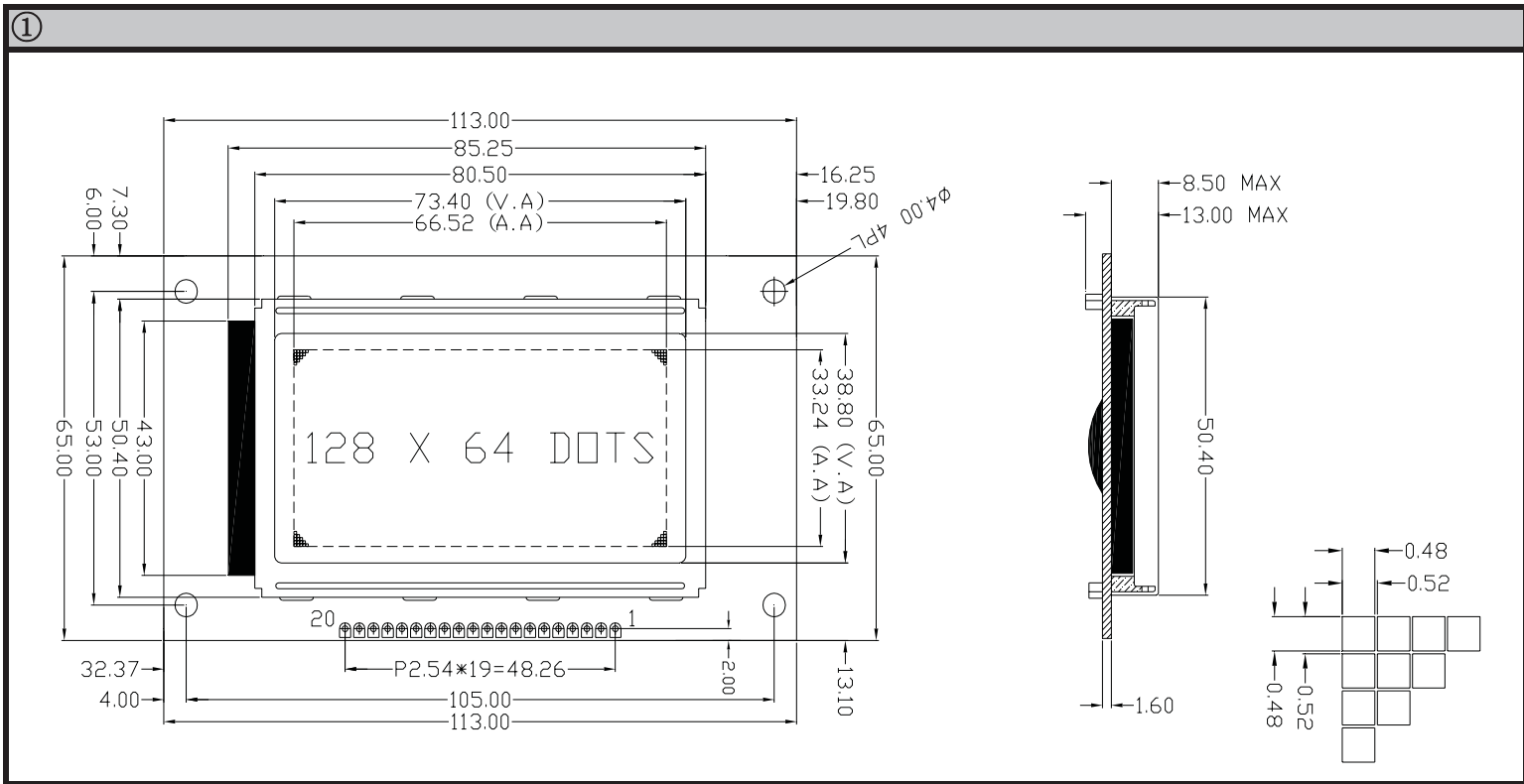


# JXD12864-1



## ②MECHANICAL SPECIFICATIONS

Item	Nominal Dimensions(mm)
Module Size (W×H×T)	113×65×13
Viewing Area(W×H)	73.4×38.8
Dot Pitch(W×H)	0.52×0.52
Dot Size(W×H)	0.48×0.48

## ④FEATURE

LCD Type & Colour	STN:Yellow-Green,Blue,FSTN
View Angle	6 O'clock
Display Type	Positive Type,Negative Type
Control IC & Package	KS0107,COB
Operating Temperature	-20℃~70℃
Storage Temperature	-30℃~80℃

## ③PIN CONNECTIONS

Pin	Symbol	Function
1	VSS	Ground for Logic(0V)
2	VDD	Power supply for Logic(+5V)
3	V0	Power supply for LCD Driver
4	RS	H: Data; L: Instruction Code
5	R/W	H: Read; L: Write
6	E	Enable signal
7~14	DB0~DB7	Data Bus Line
15	Cs1	Chip Select Of Ic1(High Effective)
16	Cs2	Chip Select Of Ic2(High Effective)
17	/REST	Reset Signal(Low Effective)
18	VOUT	Voltage Booster Output
19	LED+	Backlight Power(+5V)
20	LED-	Backlight Power(0V)

## ⑤ELECTRICAL CHARACTERISTICS

	Symbol	Test Condition	Typ.	Unit
Operating Voltage	Vdd	Ta=25℃	5.0	V
Supply Current	Idd	Ta=25℃ , Vdd=5.0V	1.5	mA